

U16RCY/P is a 5" High Fidelity woofer with an injection moulded metal chassis, intended for bass reflex and transmission line designs.

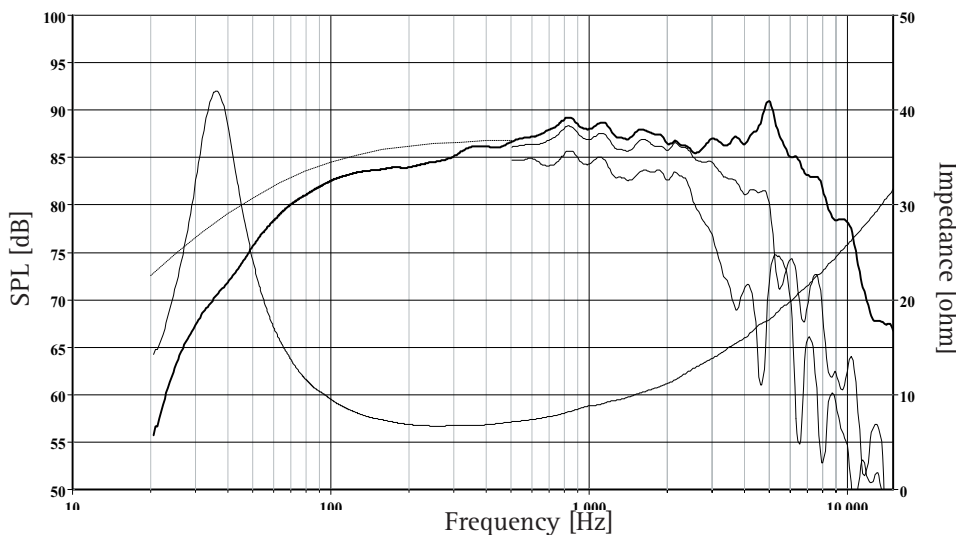
New Curv cone, a woven polypropylene with excellent internal damping together with perfectly matched moving parts gives a smooth, extended frequency response.

A unique radial reinforced low loss rubber surround reduces radial resonances and prevents surround break up at large excursions.

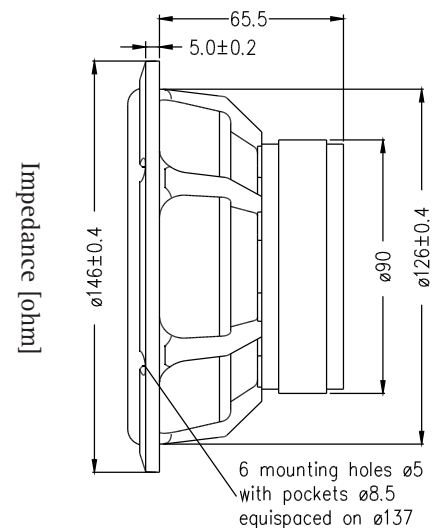
Bullet shaped phase plug reduces compression due to temperature variations in the voice coil, avoids resonance problems which would occur in the volume between the dust cap and the pole piece and increases the long term power handling capacity.

Extremely stiff and stable injection moulded metal basket, keeps the critical components in perfect alignment. Large windows in the basket both above and below the spider reduce sound reflection, air flow noise and cavity resonance to a minimum.

This driver use Seas SpiderRing® technology.



The frequency responses above show measured free field sound pressure in 0, 30, and 60 degrees angle using a 10L closed box. Input 2.83 V_{RMS}, microphone distance 0.5m, normalized to SPL 1m. The dotted line is a calculated response in infinite baffle based on the parameters given for this specific driver. The impedance is measured in free air without baffle using a 2V sine signal.



Nominal Impedance	8 Ohms	Voice Coil Resistance	6.2 Ohms
Recommended Frequency Range	45 - 3000 Hz	Voice Coil Inductance	0.81 mH
Short Term Power Handling *	250 W	Force Factor	6.3 N/A
Long Term Power Handling *	60 W	Free Air Resonance	36 Hz
Characteristic Sensitivity (2,83V, 1m)	87 dB	Moving Mass	10.26 g
Voice Coil Diameter	26 mm	Air Load Mass In IEC Baffle	0.49 g
Voice Coil Height	14 mm	Suspension Compliance	1.9 mm/N
Air Gap Height	6 mm	Suspension Mechanical Resistance	1.11 Ns/m
Linear Coil Travel (p-p)	8 mm	Effective Piston Area	99 cm ²
Maximum Coil Travel (p-p)	20 mm	VAS	25 Litres
Magnetic Gap Flux Density	1.1 T	QMS	2.19
Magnet Weight	0.42 kg	QES	0.38
Total Weight	1.3 kg	QTS	0.32