

## TG/TC 3 1/2" Full Range



Type Number: TG9FD-10-04

### Features:

The TG/TC series offers a high performance full range and mid-bass solution for TV products and other compact applications. Extensive development work by the Peerless audio engineering team, and the use of leading-edge technologies like polymer-chassis, NRSC (Tymphany patent) Glass Fibre or Paper Cone and CU-cap on pole piece, have made this full range driver appear on many industry insider lists as the best sounding solution in this market.

Driver Highlights: 3 1/2" full range driver



### Specs:

#### Power handling

Rated Noise Power (IEC 18.1)	--	W
100h RMS noise test (IEC)	--	W
Long-term Max Power (IEC 18.3)	--	W
Max linear SPL (rms) @ power	--	dB/W
Short Term Max power (IEC 18.2)	--	W

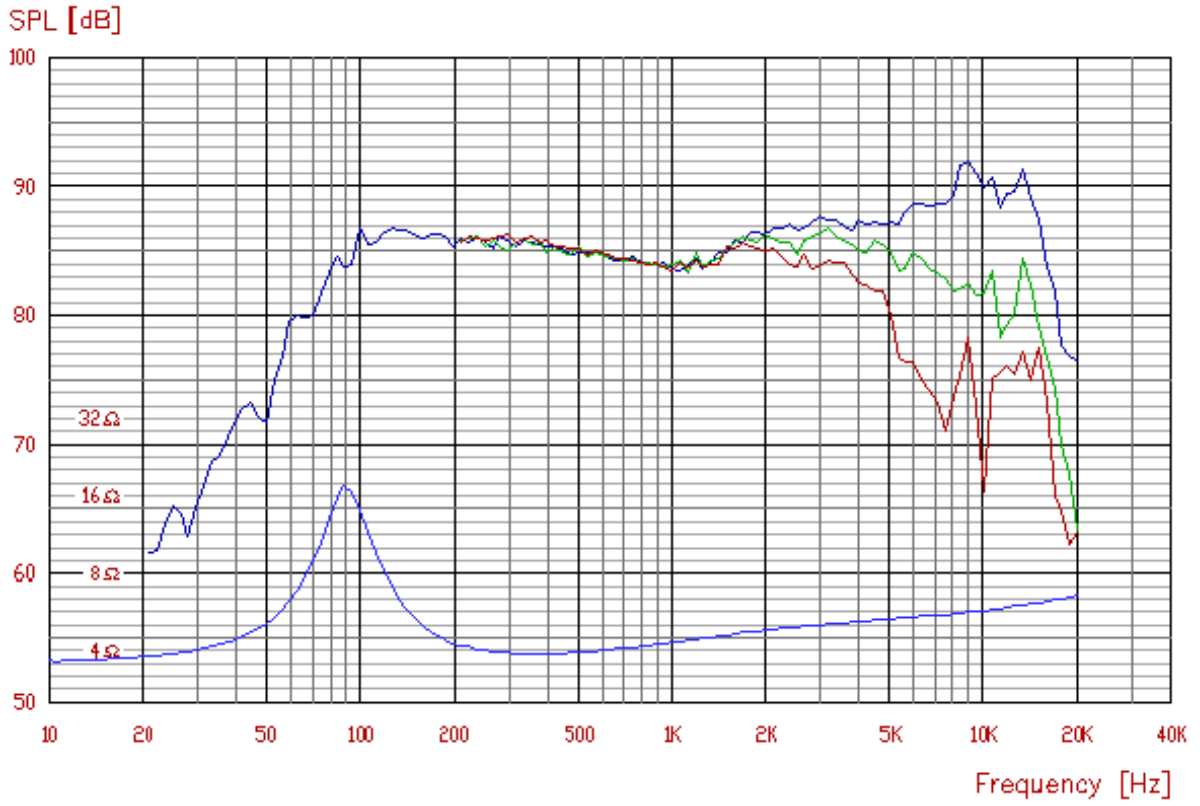
#### Voice Coil and Magnet Parameters

Voice coil diameter	20	mm
Voice coil height	9.2	mm
Voice coil layers	--	
Height of the gap	4	mm
Linear excursion +/-	--	mm
Max mech. excursion +/-	--	mm
Flux density of gap	--	mWb
Total useful flux	--	mWb
Diameter of magnet	--	mm
Height of magnet	--	mm
Weight of magnet	0.105	Kg

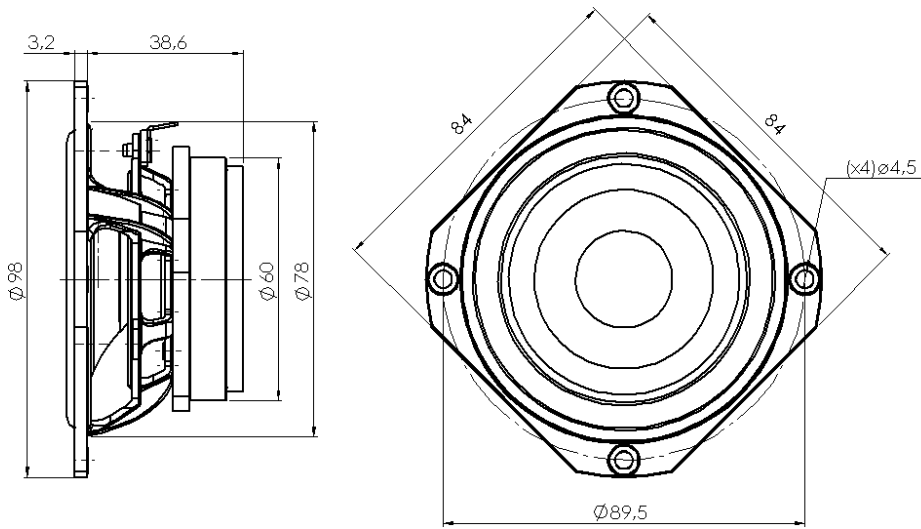
#### Misc. Parameters

Effective Frequency range (IEC 21.2)	--	Hz
Performance Temp. range (IEC 25.1.1)	--	°C
Damage Temp. range (IEC 25.1.2)	--	°C
Relative Humidity Range (IEC 25.2.1)	--	%
Damage Humidity Range (IEC 25.2.2)	--	%

**Frequency:**



**Mechanical Dimensions:**



TG9FD-10-04