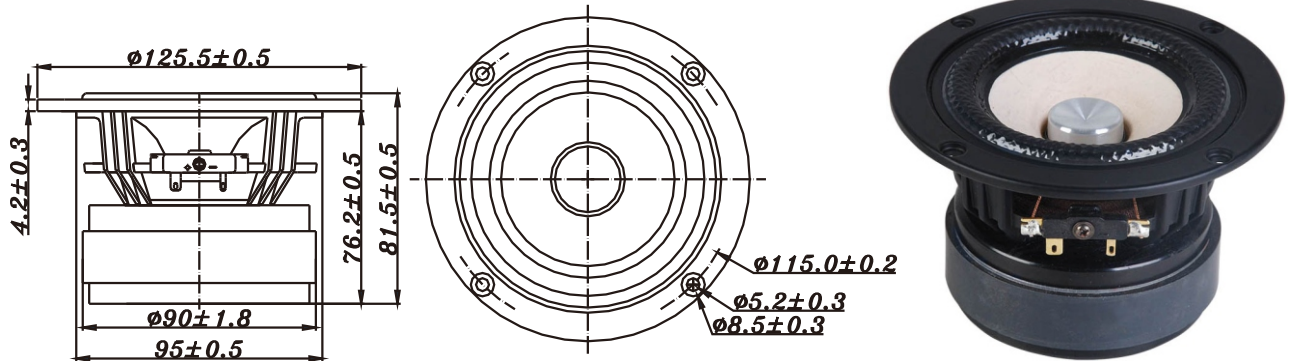


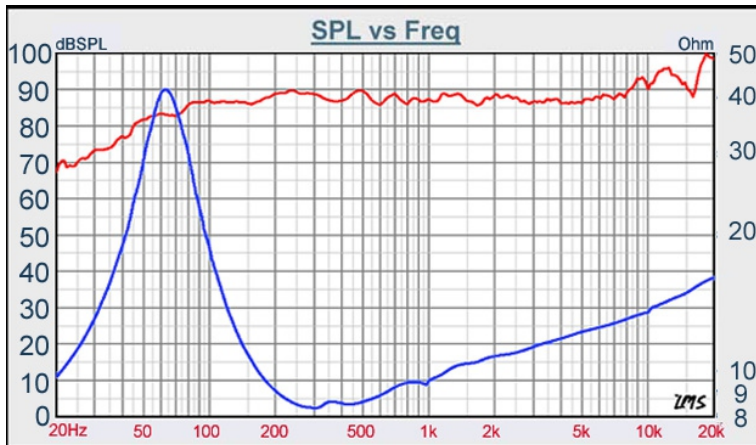
# F SERIES

# W4-2142



- FULL RANGE DESIGN
- UNDERHUNG MOTOR DESIGN WITH FERRITE MAGNET,  $X_{max} = 2.4\text{mm}$
- VERY LOW THD (2<sup>nd</sup> AND 3<sup>rd</sup> HARMONIC DISTORTION)
- UNIQUE PHASE PLUG FOR BETTER DISPERSION
- BAMBOO FIBER PAPER CONE WITH DURABLE STRUCTURED SANTOPRENE SURROUND

## 4" PAPER FULL RANGE



DIAPHRAGM MTL	Paper
SURROUND MTL	Structured Santoprene
NOMINAL IMPEDANCE	8 $\Omega$
DCR IMPEDANCE	6.3 $\Omega$
SENSITIVITY 1W/1m	88 dB
FREQUENCY RESPONSE	60 - 20K Hz
FREE AIR RESONANCE	60 Hz
VOICE COIL DIAMETER	25.4 mm
AIR GAP HEIGHT	10 mm
RATED POWER INPUT	25 W
MAXIMUM POWER INPUT	50 W
FORCE FACTOR, BL	5.41 TM
TYPE OF INPUT	Ferrite
MOVING MASS	4.61 g
FERROFLUID ENHANCED	No
SUSPENSION COMPLIANCE	1390 $\mu\text{MN}^{-1}$
EFFECTIVE PISTON AREA	0.0057 $\text{M}^2$
Levc	0.022 mH
Zo	40 $\Omega$
X-max	2.4 mm
Vas	6.41 Liter
Qts	0.33
Qms	2.20
Qes	0.39

**TB** SPEAKERS

VOICE:886.2.26570282 FAX:886.2.26580166  
E-MAIL :info@tb-speaker.com