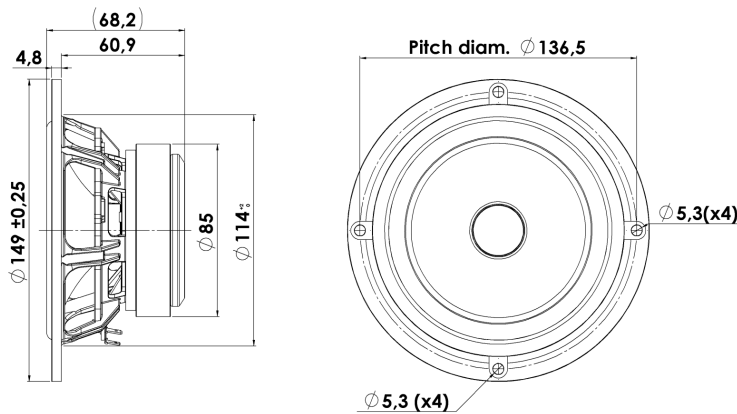




MIDRANGE

15M/4624G00

The Discovery series offer traditional design, superior sound, a solid construction, and a wide range of variants. Combining these elements - plus a wealth of technical features and finesses - it gives our customers the possibility of acquiring a tailor-made Scan-Speak solution with very good performance at a reasonable low price point!



KEY FEATURES:

- High Output 92,5dB @ 2,83V
- Coated NRSC Fibre Glass Cone
- Die cast Alu Chassis vented below spider
- Phase Plug for Improved Phase Linearity
- Very Low Damping Foam Surround (Coated)
- Magnet System w. Alu Ring

T-S Parameters

Resonance frequency [fs]	100 Hz
Mechanical Q factor [Qms]	5.62
Electrical Q factor [Qes]	0.47
Total Q factor [Qts]	0.43
Force factor [Bl]	5.3 Tm
Mechanical resistance [Rms]	0.69 kg/s
Moving mass [Mms]	6.2 g
Suspension compliance [Cms]	0.41 mm/N
Effective diaph. diameter [D]	101 mm
Effective piston area [Sd]	80 cm ²
Equivalent volume [Vas]	3.7 l
Sensitivity (2.83V/1m)	92.4 dB
Ratio Bl/√Re	2.96 N/√W
Ratio fs/Qts	231 Hz

Notes:

IEC specs. refer to IEC 60268-5 third edition.
All Scan-Speak products are RoHS compliant.
Data are subject to change without notice.
Datasheet updated: January 29, 2011.

Electrical Data

Nominal impedance [Zn]	4 Ω
Minimum impedance [Zmin]	4.1 Ω
Maximum impedance [Zo]	41.5 Ω
DC resistance [Re]	3.2 Ω
Voice coil inductance [Le]	0.23 mH

Power Handling

100h RMS noise test (IEC 17.1)*	75 W
Long-term max power (IEC 17.3)*	- W

*Filter: 2. order HP Butterworth, 200 Hz

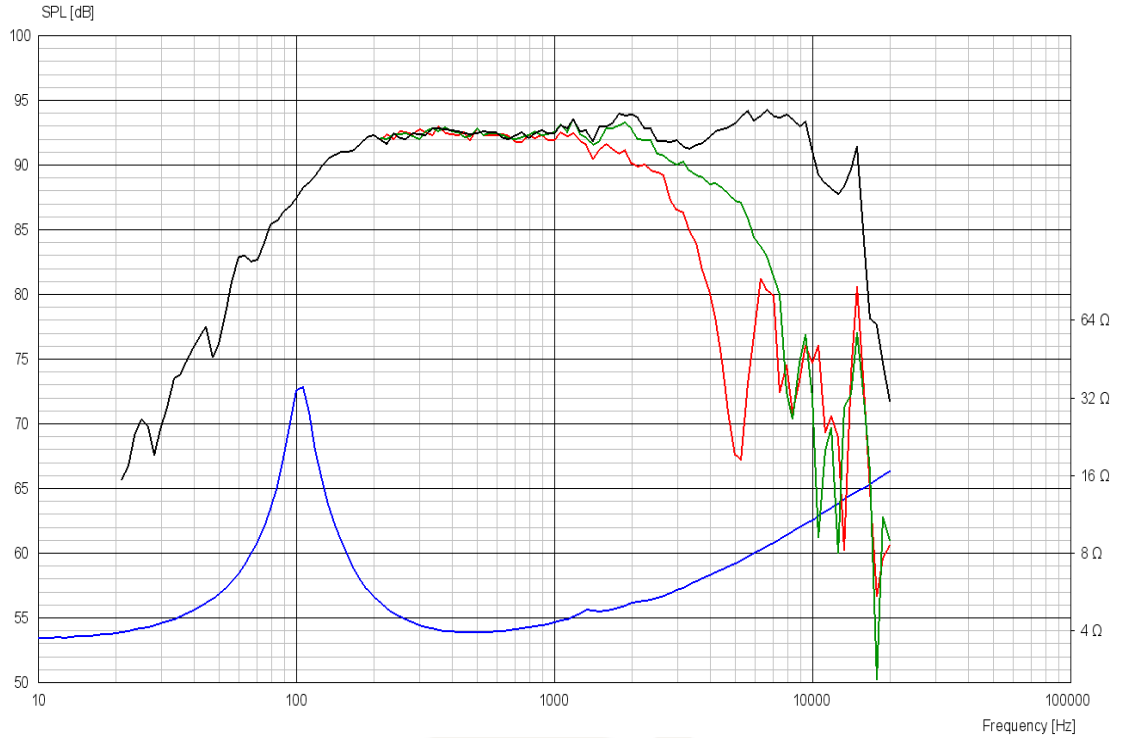
Voice Coil and Magnet Data

Voice coil diameter	25 mm
Voice coil height	8 mm
Voice coil layers	2
Height of gap	5 mm
Linear excursion	± 1.5 mm
Max mech. excursion	± 8 mm
Unit weight	1 kg

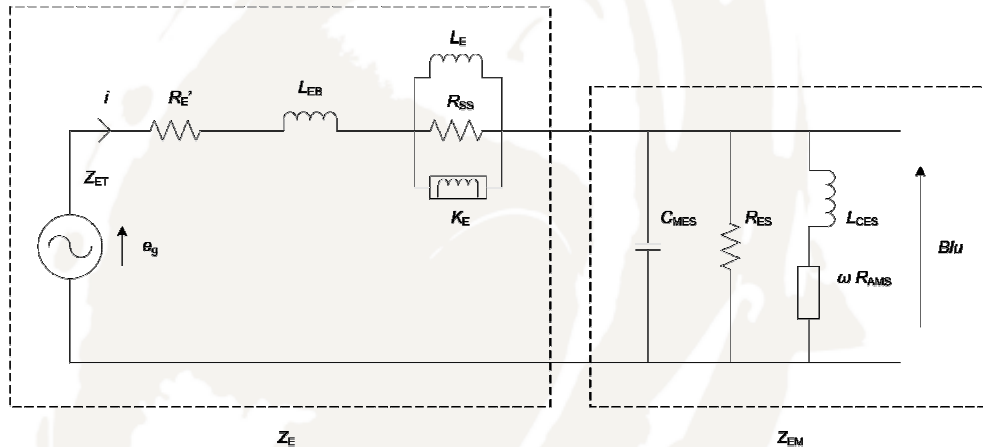


MIDRANGE

15M/4624G00



Advanced Parameters (Preliminary)



Electrical data:

Resistance [Re']	- Ω
Free inductance [Leb]	- mH
Bound inductance [Le]	- mH
Semi-inductance [Ke]	- SH
Shunt resistance [Rss]	- Ω

Mechanical Data

Force Factor [Bl]	- Tm
Moving mass [Mms]	- g
Compliance [Cms]	- mm/N
Mechanical resistance [Rms]	- kg/s
Admittance resistance [Rams]	- mΩ·s